

the PHRV140 is designed for higher static pressure applications. The unit brings a continuous supply of fresh air into a home while exhausting an equal amount of contaminated air. During winter, fresh incoming air is tempered by the heat that is transferred from the outgoing air so you save on energy costs, while during summer, the incoming air is pre-cooled if the house is equipped with an air cooling system. The PHRV140 is equipped with automatic defrost mechanisms so you can use your HRV all year long.

#### FEATURES

- Airflow up to 159 CFM (75 L/s) @ 0,4"Ps (100 Pa)
- 6" (152mm) oval duct connections with integrated airflow measurement
- Compact design, only 23.75" (603 mm) wide
- Fans with backward curved RadiCAL blade
- Electrostatic filters (washable)
- Aluminum heat recovery core
- Removable screw terminal for easy connection
- Easy Core Guide Channels For Removing Core
- Only weighs 45 lbs (20Kg)

#### CONTROL INCLUDED

- Dehumidistat1 – Dehumidistat

#### OPTIONAL CONTROLS

- DIR-TS – Programmable Touch Screen Wall Control
- DIR-DG – Electronic multi-function dehumidistat
- RTS5 – 20/40/60 minute Timer
- RTS20 – 20 minute Timer

# PHRV140

## Heat Recovery Ventilator

Product#: 44932

### SPECIFICATIONS

**Fans** Two (2) factory-balanced fans with backward curved blades. Motors come with permanently lubricated, sealed ball-bearings to guarantee long life and maintenance-free operation.

**Heat Recovery Core** Aluminum heat recovery core covered by a limited lifetime warranty. Core dimensions are 9" x 9" (229 x 229 mm) with a 15" (381 mm) depth. Our heat exchangers are designed and manufactured to withstand extreme temperature variations.

**Defrost** A preset defrost sequence is activated at an outdoor air temperature of 23°F (-5°C) and lower. During the defrost sequence, the supply blower shuts down & the exhaust blower switches into high speed to maximize the effectiveness of the defrost strategy. The unit then returns to normal operation, and continues cycle.

**Serviceability** Core, filters, fans, drain pan and electrical panel can be accessed easily from the access panel. Core conveniently slides out with only 17" (432 mm) clearance.

**Case** 24 gauge galvanized steel. Baked powder coated paint.

**Insulation** Cabinet is fully insulated with 1" (25 mm) foil-face high density expanded polystyrene.

**Filters** Two (2) washable electrostatic panel type air filters 8.5" (216mm) x 15" (380 mm) x 0.125" (3mm).

**Controls** External three (3) position (Low/Stand By/Medium) rocker switch that will offer continuous ventilation. (see controls)

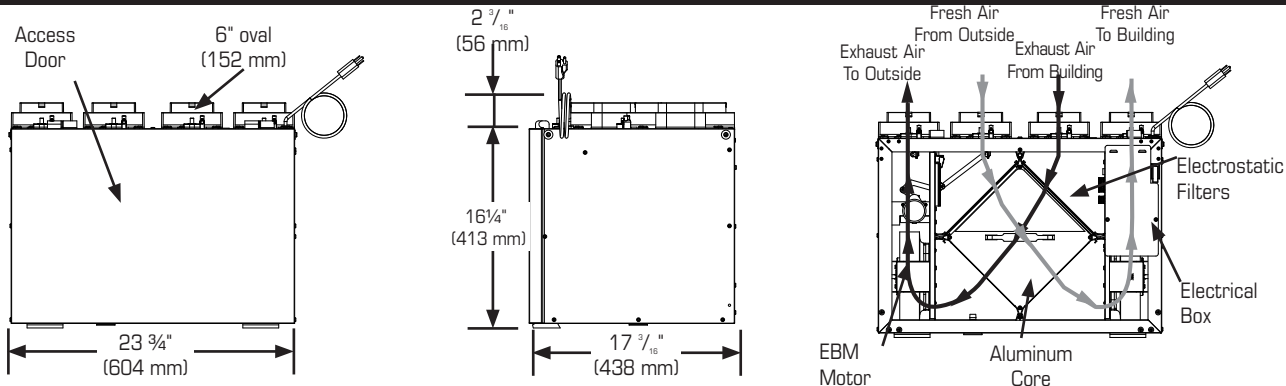
**Installation** Unit is typically hung by using installation kit supplied with unit. Mounting bolts provided on top four (4) corners of unit.

**Warranty** Limited lifetime on aluminum core, 7 year on motors, and 5 year on parts.

DISTRIBUTED BY:

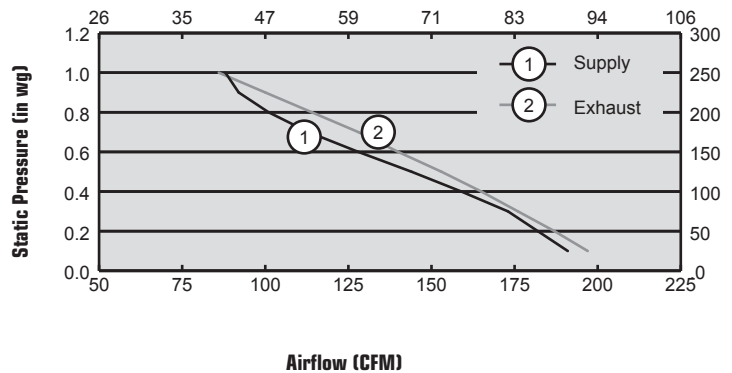


## Dimensions & AIRFLOW - All units feature three foot plug-in power cord with 3-prong plug.



## Ventilation Performance

EXT. STATIC PRESSURE		NET SUPPLY AIR FLOW		GROSS AIR FLOW			
Pa	in wg	L/s	cfm	SUPPLY		EXHAUST	
Pa	in wg	L/s	cfm	L/s	cfm	L/s	cfm
25	0.1	89	188	90	191	93	197
50	0.2	86	182	88	186	88	187
75	0.3	81	173	83	176	83	176
100	0.4	75	159	77	162	78	165
125	0.5	68	144	69	147	75	159
150	0.6	60	128	62	130	66	140
175	0.7	53	113	54	115	60	128
200	0.8	48	101	48	103	54	114
225	0.9	43	92	44	94	47	100



## Energy Performance

	SUPPLY TEMPERATURE		NET AIRFLOW		POWER CONSUMED WATTS	SENSIBLE RECOVERY EFFICIENCY	APPARENT SENSIBLE EFFECTIVENESS	LATENT RECOVERY/MOISTURE TRANSFER
	°C	°F	L/s	CFM				
Heating	0	32	75	159	140	60	66	-0.01
	0	32	48	101	94	63	70	-0.02
	0	32	40	85	70	61	66	-0.02
	-25	-13	40	85	71	58	60	-0.01

## Specifications and Ratings

- Model: PHRV140
- Total assembled weight: 45 lbs (20Kg)
- Cabinet: 24 ga, steel with powder coat finish
- Motors: ebm motor with backward curved blades
- Filters: 2 washable electrostatic filters 8.5" (216mm) x 15" (380mm) x 0.125" (3mm)
- Insulated with 1" (25mm) high density polystyrene foam to prevent condensation
- Core: Aluminum 9" (229mm) x 9" (229mm) x 15" (380mm)
- Supply & exhaust ducts: 6" oval (150 mm)
- Mounting: Suspended by chains & hooks
- Electrical requirements::  
Volts Frequency Amps Watts  
120V 60Hz 1.2A 156W  
3' plug-in power cord w/ 3-prong plug

## Contacts

Submitted by:	Date:
Qty:	Model #:
Comments:	
Project #:	
Location:	
Architect:	
Engineer:	
Contractor:	

Toronto  
111 Staffern Drive  
Concord, ON, L4K 2R2  
(T) 905.660.0033  
(F) 905.660.8881  
toronto@powrmatic.ca

London  
1064 Hargrieve Road  
London, ON N6E 1P5  
(T) 519.675.1491  
(F) 519.675.4725  
london@powrmatic.ca

Halifax  
100, Wright Ave  
Dartmouth, NS, B3B 1L2  
(T) 902.454.8684  
(F) 902.453.5875  
halifax@powrmatic.ca

Ottawa  
1412 Star Top Rd  
Goucester, ON K1B 4V7  
(T) 613.230.7160  
(F) 613.230.0685  
ottawa@powrmatic.ca

Québec  
365, Fortin  
Vill-Vanier, QC G1M 1B2  
(T) 418.683.2708  
(F) 418.683.8860  
quebec@powrmatic.ca

Montréal  
9500 BLVD. Ray-Lawson  
Anjou, QC H1J 1L1  
(T) 514.493.6400  
(F) 514.493.8722  
montreal@powrmatic.ca

