

## FEATURES

- 6" (152 mm) oval duct connections with integrated airflow measurement
- Removable screw terminal for easy connection
- Lightweight (20Kg)
- Top port design fits in tight spaces
- Multiple speed operation
- Internal recirculation defrost
- Compact design
- Backward curved blade motors
- Electrostatic filters (washable)
- Aluminum heat recovery core
- 6" oval duct connections

## OPTIONAL CONTROLS:

- DIR-TS - Programmable Touch Screen Wall Control
- RTS 20 - 20 minute timer over-ride
- RTS5 - 20/40/60 minute timer
- EDF1R - Triple function wall control
- MDEH1 - Dehumidistat

## WARRANTY:

- 7 year on motors
- 5 year on parts
- Lifetime on core (limited)

# PHRVR150

## Heat Recovery Ventilator

Product#: 44831

### SPECIFICATIONS

**MOTORS:** Two (2) German-engineered, factory-balanced ebm™ motors with backward curved blades. Motors come with permanently lubricated sealed bearings, guaranteeing long life and maintenance-free operation. Seven (7) year warranty.

**CORE:** A aluminum heat recovery core configured for an efficient cross-flow ventilation. Core is 9" x 9" (229 x 229 mm) with a 15" (380mm) depth. Cores are manufactured to withstand extreme temperature variations.

**WINTERGARD™ DEFROST:** The PHRVR150 incorporates a unique and quiet internal recirculation defrost that does not depressurize the home during the defrost cycle. A preset defrost sequence is activated when the outdoor temperature falls below 23°F (-5°C) and automatically adjusts itself based on operating conditions. The fan speed is also adjusted automatically to provide a smooth and quiet transition between Ventilation & Defrost mode.

**DUCT CONNECTIONS:** 6" (152 mm) Oval plastic duct connections with integrated balancing damper and airflow measurement ports.

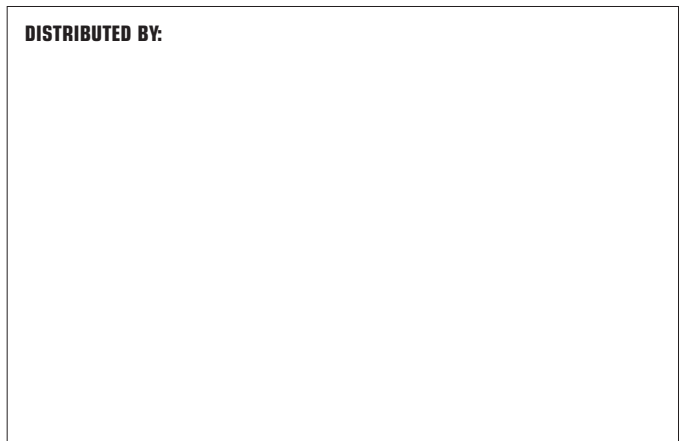
**SERVICEABILITY:** Core, filters, motors and drain pan can be easily serviced through latched access door. Core conveniently slides out with ease on railing system.

**CASE:** 24 gauge galvanized steel. Baked powder-coated paint for a superior adhesion and resistance.

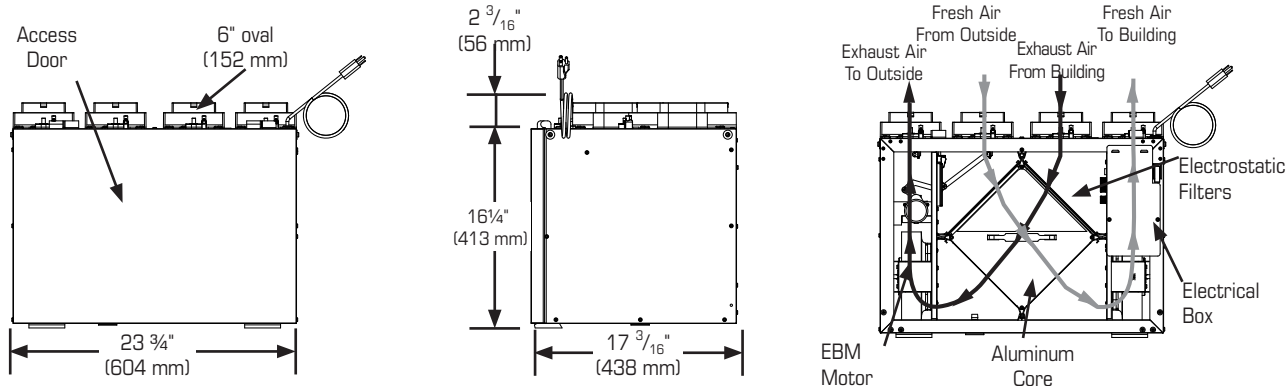
**FILTERS:** Two (2) Washable Electrostatic Panel Type Air Filters, 8.5" (216mm) x 15" (380mm) x 0.125" (3mm).

**INSTALLATION:** Unit is typically hung by using installation kit supplied with unit. Mounting bolts provided on top four (4) corners of unit

**DISTRIBUTED BY:**

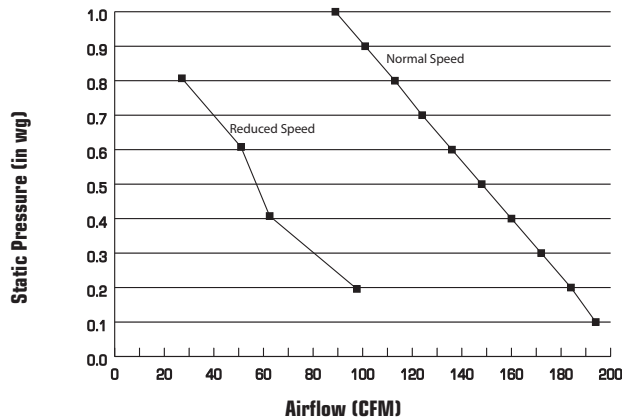


**Dimensions & AIRFLOW** - All units feature three foot plug-in power cord with 3-prong plug.



**Ventilation Performance**

| EXT. STATIC PRESSURE |       | NET SUPPLY AIR FLOW |     | GROSS AIR FLOW |     |         |     |
|----------------------|-------|---------------------|-----|----------------|-----|---------|-----|
| Pa                   | in wg | L/s                 | cfm | SUPPLY         |     | EXHAUST |     |
|                      |       |                     |     | L/s            | cfm | L/s     | cfm |
| 25                   | 0.1   | 90                  | 191 | 92             | 194 | 92      | 194 |
| 50                   | 0.2   | 85                  | 181 | 87             | 184 | 87      | 184 |
| 75                   | 0.3   | 80                  | 169 | 81             | 172 | 81      | 172 |
| 100                  | 0.4   | 74                  | 157 | 76             | 160 | 76      | 160 |
| 125                  | 0.5   | 68                  | 145 | 70             | 148 | 70      | 148 |
| 150                  | 0.6   | 63                  | 134 | 64             | 136 | 64      | 136 |
| 175                  | 0.7   | 58                  | 122 | 59             | 124 | 59      | 124 |
| 200                  | 0.8   | 52                  | 111 | 53             | 113 | 53      | 113 |
| 225                  | 0.9   | 47                  | 99  | 48             | 101 | 48      | 101 |
| 25                   | 1.0   | 41                  | 87  | 42             | 89  | 42      | 89  |



**Energy Performance**

|         | SUPPLY TEMPERATURE |     | NET AIRFLOW |     | POWER CONSUMED WATTS | SENSIBLE RECOVERY EFFICIENCY | APPARENT SENSIBLE EFFECTIVENESS | LATENT RECOVERY/MOISTURE TRANSFER |
|---------|--------------------|-----|-------------|-----|----------------------|------------------------------|---------------------------------|-----------------------------------|
|         | °C                 | °F  | L/s         | CFM |                      |                              |                                 |                                   |
| Heating | 0                  | 32  | 40          | 85  | 70                   | 66                           | 79                              | -0.01                             |
|         | 0                  | 32  | 47          | 100 | 86                   | 66                           | 79                              | 0.01                              |
|         | 0                  | 32  | 88          | 187 | 156                  | 55                           | 64                              | 0.01                              |
|         | -25                | -13 | 42          | 89  | 99                   | 60                           | 72                              | 0.02                              |

**Specifications and Ratings**

- Model: PHRVR150
- Total assembled weight: 45 lbs (20Kg)
- Cabinet: 24 ga, steel with powder coat finish
- Motors: ebm motor with backward curved blades
- Filters: 2 washable electrostatic filters 8.5" (216mm) x 15" (380mm) x 0.125" (3mm)
- Insulated with 1" (25mm) high density polystyrene foam to prevent condensation
- Core: Aluminum 9" (229mm) x 9" (229mm) x 15" (380mm)
- Supply & exhaust ducts: 6" oval (150 mm)
- Mounting: Suspended by chains & hooks
- Electrical requirements:
 

|       |           |      |       |
|-------|-----------|------|-------|
| Volts | Frequency | Amps | Watts |
| 120V  | 60Hz      | 1.4A | 170W  |

 3' plug-in power cord w/ 3-prong plug

**Contacts**

|               |          |
|---------------|----------|
| Submitted by: | Date:    |
| Qty:          | Model #: |
| Comments:     |          |
| Project #:    |          |
| Location:     |          |
| Architect:    |          |
| Engineer:     |          |
| Contractor:   |          |

- |   |  |   |
|---|--|---|
| <p><b>Toronto</b><br/>111 Staffern Drive<br/>Concord, ON, L4K 2R2<br/>(T) 905.660.0033<br/>(F) 905.660.8881<br/>toronto@powmatic.ca</p> | <p><b>London</b><br/>1064 Hargrieve Road<br/>London, ON N6E 1P5<br/>(T) 519.675.1491<br/>(F) 519.675.4725<br/>london@powmatic.ca</p> | <p><b>Halifax</b><br/>100, Wright Ave<br/>Dartmouth, NS, B3B 1L2<br/>(T) 902.454.8684<br/>(F) 902.453.5875<br/>halifax@powmatic.ca</p>    |
| <p><b>Ottawa</b><br/>1412 Star Top Rd<br/>Goucester, ON K1B 4V7<br/>(T) 613.230.7160<br/>(F) 613.230.0685<br/>ottawa@powmatic.ca</p>    | <p><b>Québec</b><br/>365, Fortin<br/>Vill-Vanier, QC G1M 1B2<br/>(T) 418.683.2708<br/>(F) 418.683.8860<br/>quebec@powmatic.ca</p>    | <p><b>Montréal</b><br/>9500 BLVD. Ray-Lawson<br/>Anjou, QC H1J 1L1<br/>(T) 514.493.6400<br/>(F) 514.493.8722<br/>montreal@powmatic.ca</p> |

