



**SUBMITTAL DATA SHEET**

**Job Name :** \_\_\_\_\_ **Location:** \_\_\_\_\_

**Purchaser:** \_\_\_\_\_ **Engineer:** \_\_\_\_\_

**Submitted to:** \_\_\_\_\_ **Reference:** \_\_\_\_\_ **Approval:** \_\_\_\_\_

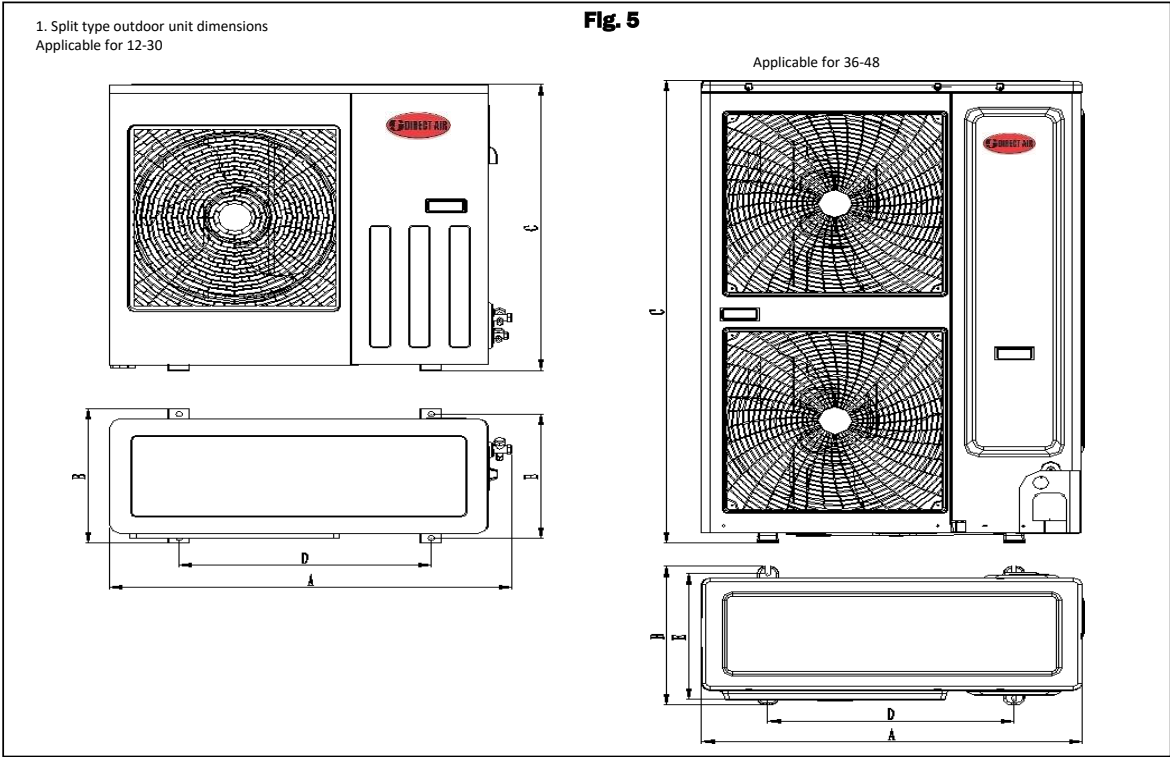
**Phone:** \_\_\_\_\_ **Email:** \_\_\_\_\_

<b>Model No.</b>	<b>DIRG-30CN</b>
Unit designation	
Qty	
Type	ROTARY compressor

Power supply		Ph-V-Hz	208/230V~ 60Hz, 1Ph
Cooling	Capacity	Btu/h	30000
	SEER		13
TOTAL LOAD		A	9.85
OUTDOOR FAN MOTOR LOAD		A	1.65
MINIMUM CIRCUIT AMPACITY		A	14.0
MAX.FUSE		A	20.0
Starting current		A	/
<b>Compressor</b>	Model		ASH250DG-C8DU
	Type		ROTARY
	Brand		HIGHLY
	Capacity	Btu/h	25078 (at 230V)
	Input	W	2410 (at 230V)
	Rated current(RLA)	A	10.70 (at 230V)
	Locked rotor Amp(LRA)	A	56
	Thermal protector		----
	Thermal protector position		INTERNAL
	Capacitor	uF	60
Refrigerant oil/oil charge	ml	ø68HES-H or equivalent / 570	
<b>Outdoor fan motor</b>	Model		YDK-200-6C
	Brand		Chigo
	Input	W	295
	Capacitor	uF	10
	Speed	r/min	800 / -- / --
Outdoor air flow		m3/h	5900
Outdoor noise level		dB(A)	60
Outdoor unit	Dimension(W*D*H)	mm	1050x400x995
	Packing (W*D*H)	mm	1145x475x1120
	Net/Gross weight	Kg	77/89
Refrigerant type		Kg	R410A/3200g
Design pressure		Mpa	540/300 PSIG
Refrigerant piping	Liquid side/ Gas side	mm(inch)	Φ9.52/Φ19(3/8"/3/4")

\*Due to Direct Air's policy of continuous product improvement specifications are subject to change without notice

**CONDENSING UNIT**



MODEL	A	B	C	D	E
12	32.0	12.0	21.1	20.1	10.9
18	36.4	14.4	27.6	23.2	13.4
24	41.1	17.0	31.1	27.8	15.5
30	41.3	15.7	39.2	27.6	15.0
36&48	35.9	15.7	52.4	23.0	14.2

MODEL		12	18	24	30	36	48
POWER (outdoor)	PHASE	1Phase	1Phase	1Phase	1Phase	1Phase	1Phase
	VOLT	115V	208/230V	208/230V	208/230V	208/230V	208/230V
CIRCUIT BREAKER/FUSE(A)		15	10	15	25	30	40
MINIMUM CIRCUIT AMPACITY(A)		10	9	11	15	19	26

\*Due to Direct Air's policy of continous product improvement specifications are subject to change without notice

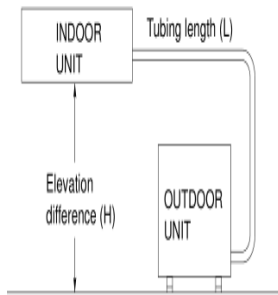


**SUBMITTAL DATA SHEET**

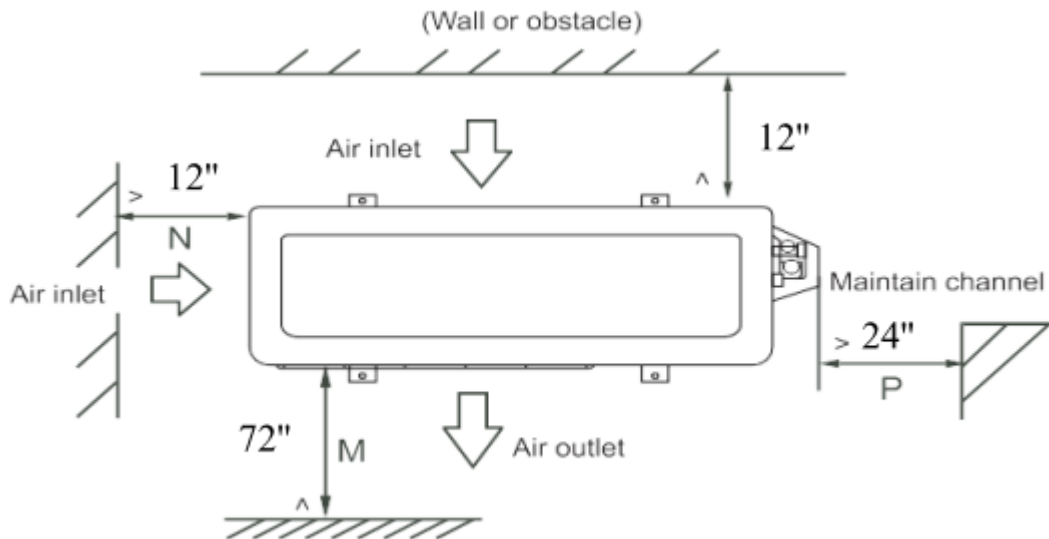
**LINE SET INFO'S**

Refrigerant Piping	Model number					
	DIRG-12CN	DIRG-18CN	DIRG-24CN	DIRG-30CN	DIRG-36CN	DIRG-48CN
Liquid-Gas (In)	1/4 - 1/2		3/8-5/8		3/8 - 3/4	
Max. Length (ft) *	82'			98'		
Max. Elevation (ft) **	33'			49'		

Minimum pipe length must not be less than 15 feet.  
 "P" trap risers every 10 ft. when outdoor unit is installed above indoor unit.



**CLEARANCES**



\*Due to Direct Air's policy of continuous product improvement specifications are subject to change without notice