



# PHRV200

## Heat Recovery Ventilator

Product#: 40090



The PHRV200 series of Heat Recovery Ventilators (HRV) by Powrmatic. Incoming fresh outdoor air is filtered before it is heated by the stale outgoing air through a polypropylene heat recovery core. The HRV then distributes the preheated fresh filtered air throughout the home by direct ductwork installed specifically for the HRV or through the ductwork of a forced-air system.

### FEATURES:

- Compact Design
- Electrostatic Filters (washable)
- Balancing Dampers Included In Installation Kit  
(not factory installed)
- External Screw Type Dry Contacts For Push Button Timers (RTS 20), Dehumidistats 1, Dehumidistat 2 & DIR-TS control.
- Easy Core Guide Channels For Removing Core
- Better Packaging For More Protection In Shipping

### OPTIONAL CONTROLS

- DIR-TS – Digital Multi-Function Control
- DIR-DG – Electronic Multi-Function Dehumidistat
- MDEH-1 – Mechanical Low Voltage Dehumidistat
- RTS 20 – 20 Minute Push Button Timer

External screw type dry contacts (provided)

### SPECIFICATIONS

**CASE** 22 gauge galvanized steel. Baked powder coated paint, grey. Insulated with 1" (25 mm) high density polystyrene foam to prevent condensation and meet the requirements of the Underwriters Laboratories 94HB.

**MOTORS** Two (2) German-manufactured, factory-balanced ebm™ motors with backward curved blades. Motors come with permanently lubricated sealed bearings guarantee long life and maintenance-free operation. Seven (7) year warranty.

**CORE** A polypropylene heat recovery core configured for an efficient cross-flow ventilation. Core is 12" x 12" (305 x 305 mm) with a 15" (380 mm) depth. Cores are manufactured to withstand extreme temperature variations.

**FILTERS** Two (2) Washable Electrostatic Panel Type Air Filters, 11.75" (298mm) x 15" (380mm) x 0.125" (3mm).

**CONTROLS** External three (3) position (Low/Stand By/Medium) rocker switch that will offer continuous ventilation. Powrmatic offers a variety of external controls. (see optional controls)

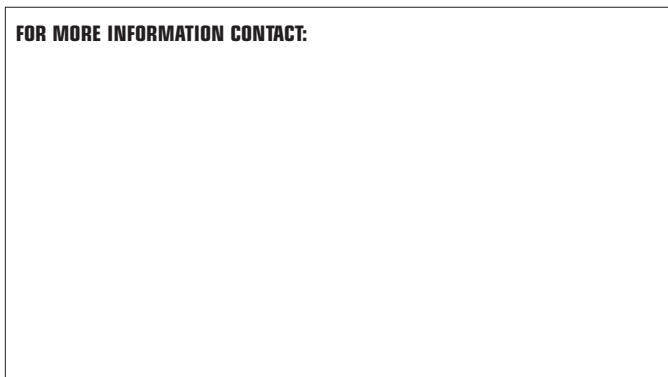
**DEFROST** A preset 5 minute defrost sequence is activated at an outdoor air temperature of 23°F (-5°C) and lower.

During the defrost sequence, the supply blower shuts down & the exhaust blower switches into high speed to maximize the effectiveness of the defrost strategy.

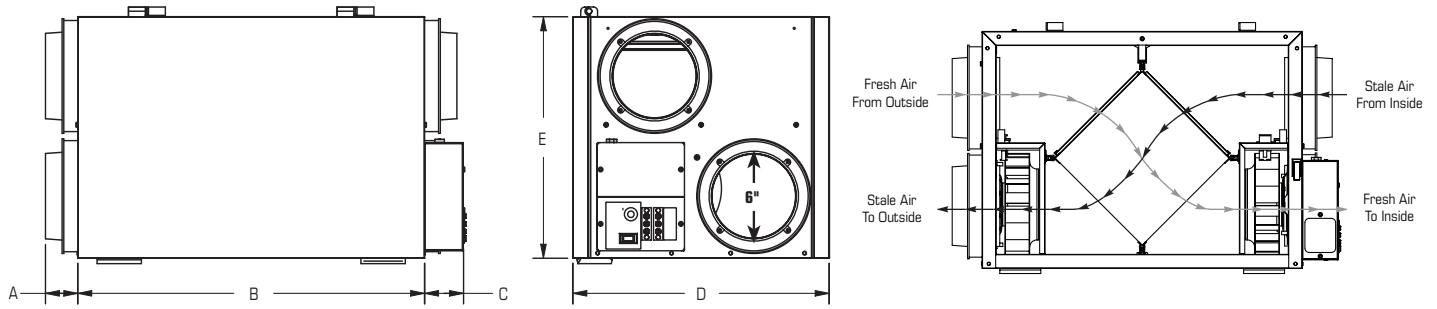
The unit then returns to normal operation for 25 minutes, and continues cycle.

**SERVICEABILITY** Core, filters, motors and drain pan can be easily serviced through latched access door. Core conveniently slides out with ease on an improved railing system. Electrical box, placed on the outside of the unit, can also be easily accessed.

**FOR MORE INFORMATION CONTACT:**

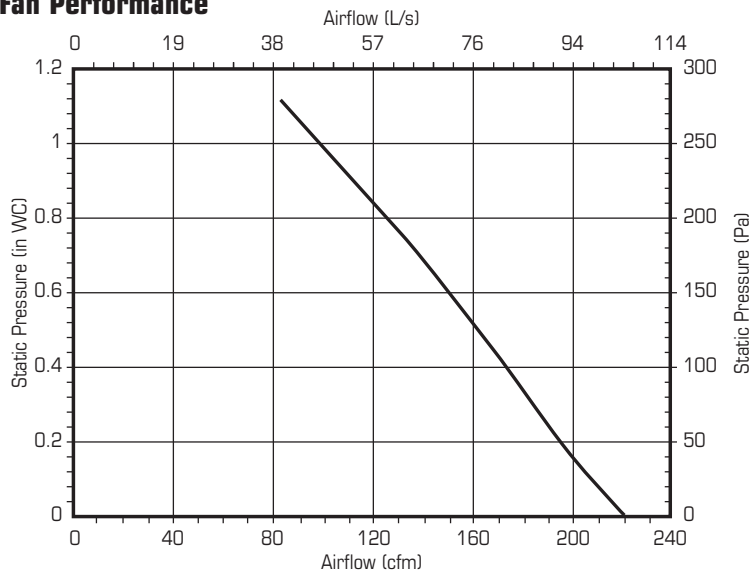


## Dimensions and aiflows



Model	A	B	C	D	E
PHRV 200	2 1/4" (56mm)	27 3/8" (707mm)	2 5/8" (67mm)	17 3/8" (441mm)	20 1/2" (520mm)

## Fan Performance



## Performance Data

Model	Apparent Sensible Effectiveness at 32°F (0°C)	Apparent Sensible Effectiveness at -13°F (-25°C)
PHRV 200	74 % @ 55 L/s	79 % @ 61 L/s
AIRFLOW CAP. cfm (L/s) @ 0.4 on High Speed		
Power		
• Volts	120 VAC	
• Amperage	PHRV 200 2.1 Amps Total	
• Phase	Single Phase	

## Contact

Submitted by:	Date:
Qty:	Model #:
Comments:	
Project #:	
Location:	
Architect:	
Engineer:	
Contractor:	

<b>London</b> 1064 Hargrieve Road London, ON N6E 1P5 (T) 519.675.1491 (F) 519.675.4725 london@powrmatic.ca	<b>Toronto</b> 111 Stafferm Drive Concord, ON, L4K 2R2 (T) 905.660.0033 (F) 905.660.8881 toronto@powrmatic.ca	<b>Halifax</b> 100 Wright Ave Dartmouth, NS, B3B 1L2 (T) 902.454.8684 (F) 902.453.5875 halifax@powrmatic.ca
<b>Ottawa</b> 1412 Star Top Rd Goucester, ON K1B 4V7 (T) 613.230.7160 (F) 613.230.0685 ottawa@powrmatic.ca	<b>Québec</b> 365, Fortin Vill-Vanier, QC G1M 1B2 (T) 418.683.2708 (F) 418.683.8860 quebec@powrmatic.ca	<b>Montréal</b> 9500 BLVD. Ray-Lawson Anjou, QC H1J 1L1 (T) 514.493.6400 (F) 514.493.8722 montreal@powrmatic.ca

